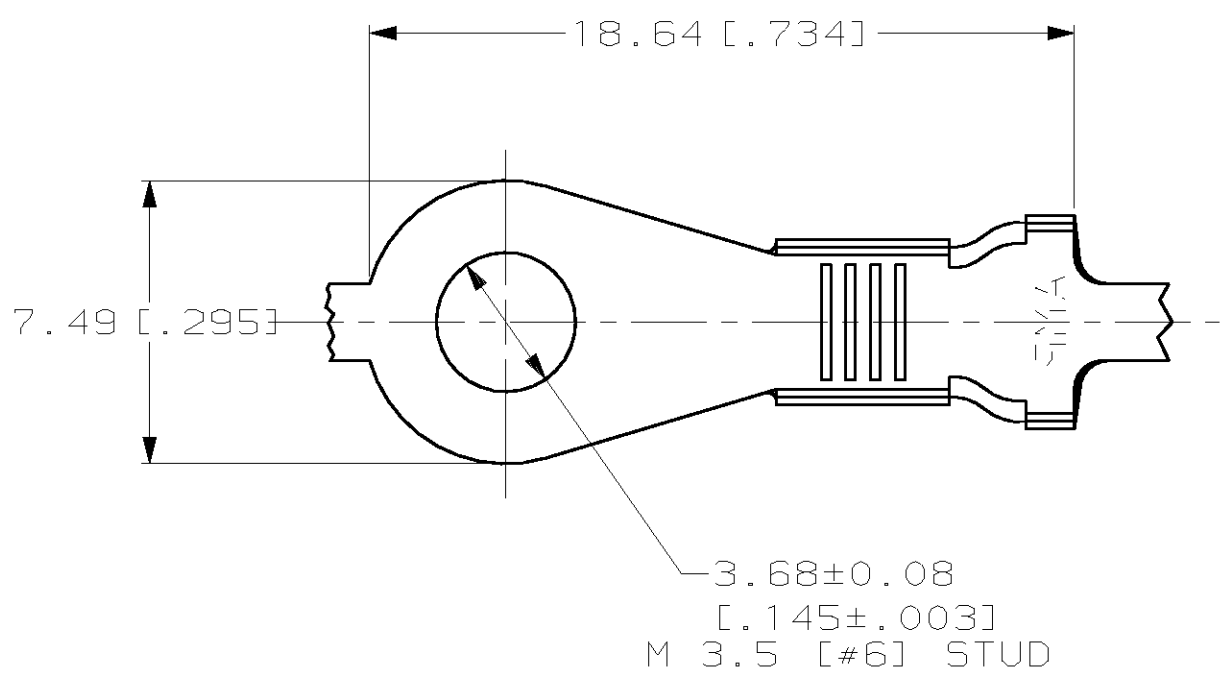
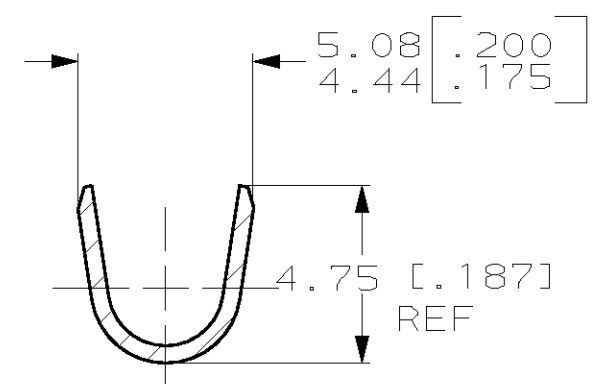
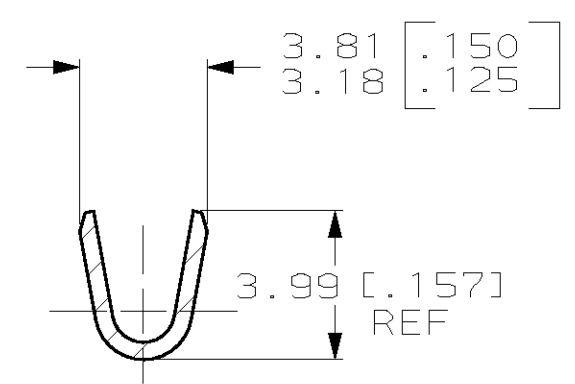
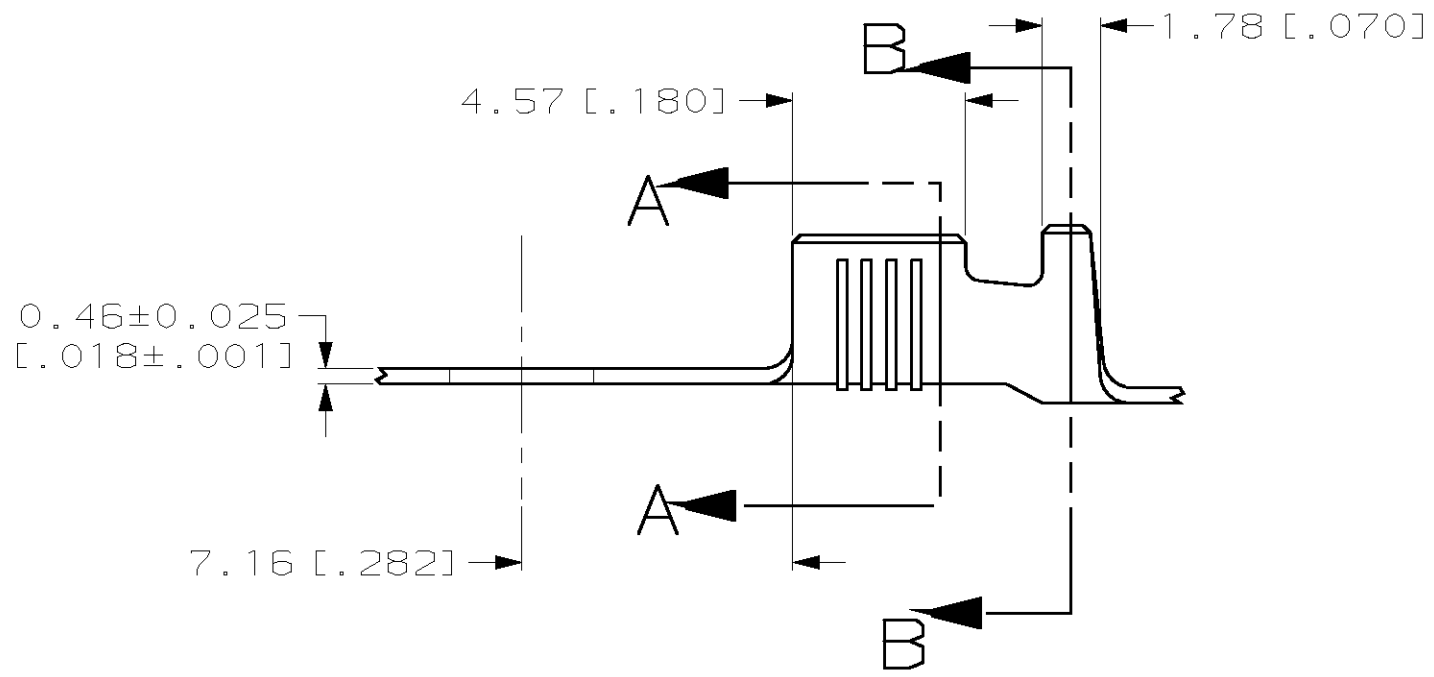


THIS DRAWING IS UNPUBLISHED. RELEASED FOR PUBLICATION ,19 .
 © COPYRIGHT 19 BY AMP INCORPORATED. ALL RIGHTS RESERVED.

LOC		DIST		REVISIONS			
P	LTR	DESCRIPTION		DATE	DWN	APVD	
AF	50	H		REDRAWN PER 0G1A-0144-99	29JUN99	JR	DD



- 1 CONTINUOUS STRIP ON REELS.
- 2 WIRE SIZE IS [#18-#14] AWG
- 3 INSULATION RANGE IS 2.54-3.56 [.100-.140] DIA.
- 4 REELING WITH BBL5 UP.



SECTION A-A

SECTION B-B

TIN	60770-2
-	60770-1
FINISH	PART NO.

THIS DRAWING IS A CONTROLLED DOCUMENT.		DWN	JR RUTH	29JUN99	AMP Incorporated Harrisburg, PA 17105-3608											
DIMENSIONS: MM [INCHES]		CHK	MS FEHER	29JUN99												
TOLERANCES UNLESS OTHERWISE SPECIFIED:		APVD	D DECKER	29JUN99												
<table border="1"> <tr><td>0 PLC</td><td>±-</td></tr> <tr><td>1 PLC</td><td>±-</td></tr> <tr><td>2 PLC</td><td>±0.38 [.015]</td></tr> <tr><td>3 PLC</td><td>±-</td></tr> <tr><td>4 PLC</td><td>±-</td></tr> <tr><td>ANGLES</td><td>±-</td></tr> </table>		0 PLC	±-	1 PLC		±-	2 PLC	±0.38 [.015]	3 PLC	±-	4 PLC	±-	ANGLES	±-	PRODUCT SPEC	
0 PLC	±-															
1 PLC	±-															
2 PLC	±0.38 [.015]															
3 PLC	±-															
4 PLC	±-															
ANGLES	±-															
MATERIAL	081 BRASS	FINISH		SEE TABLE	APPLICATION SPEC	-										
		WEIGHT	-	CUSTOMER DRAWING	SIZE	A3										
				SCALE	5:1	SHEET 1 OF 1										
				RESTRICTED TO	-	REV H										